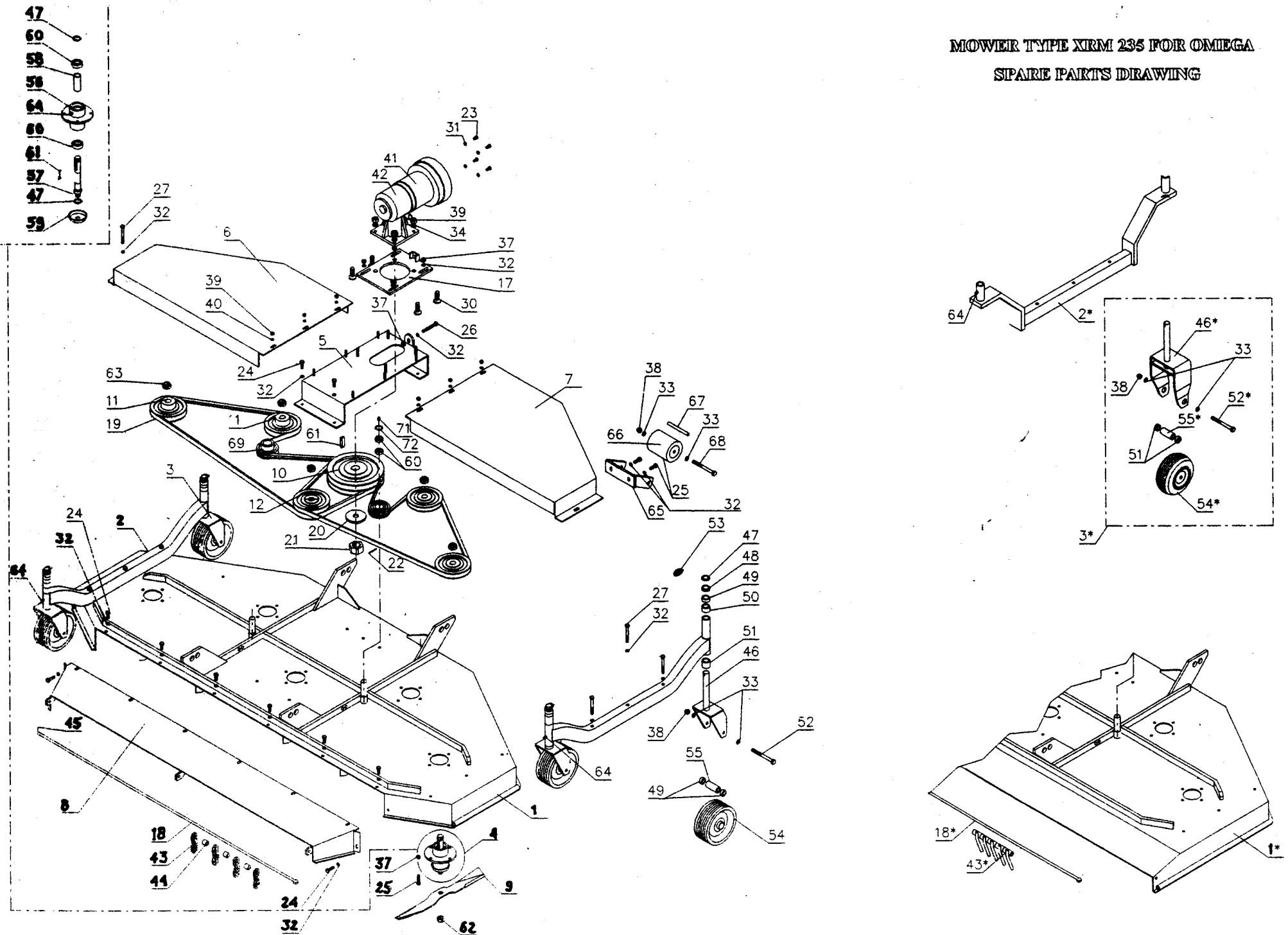
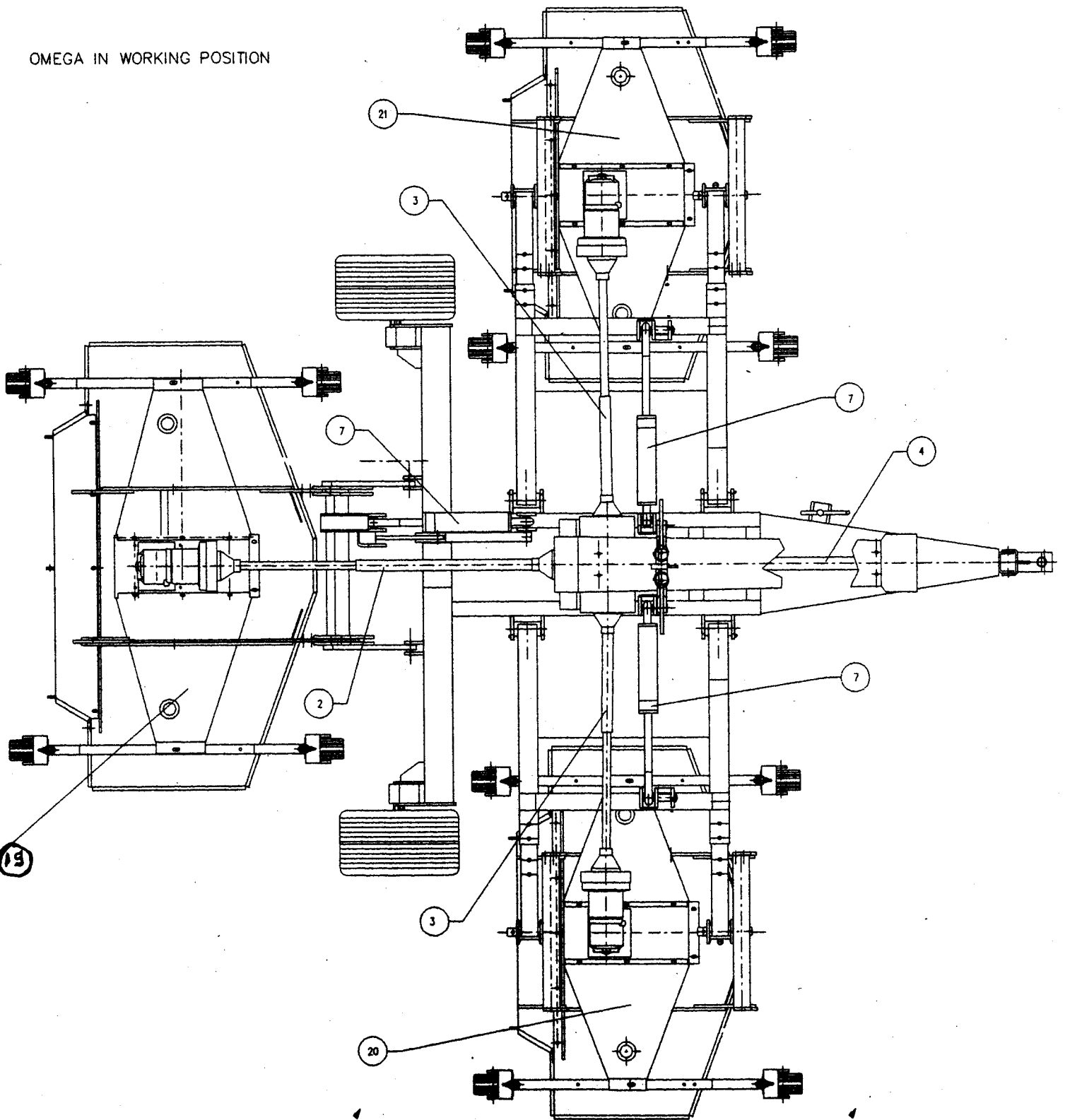
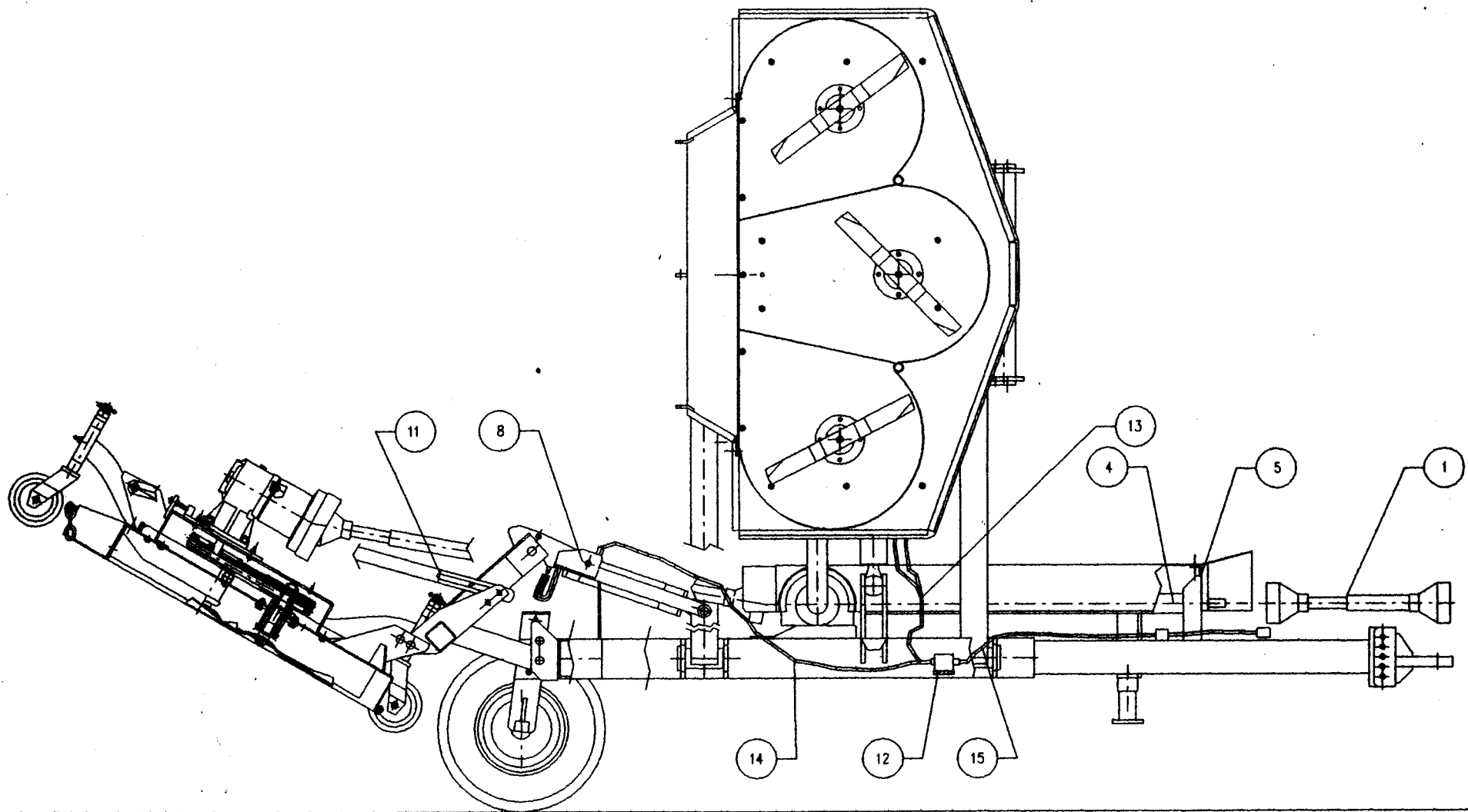


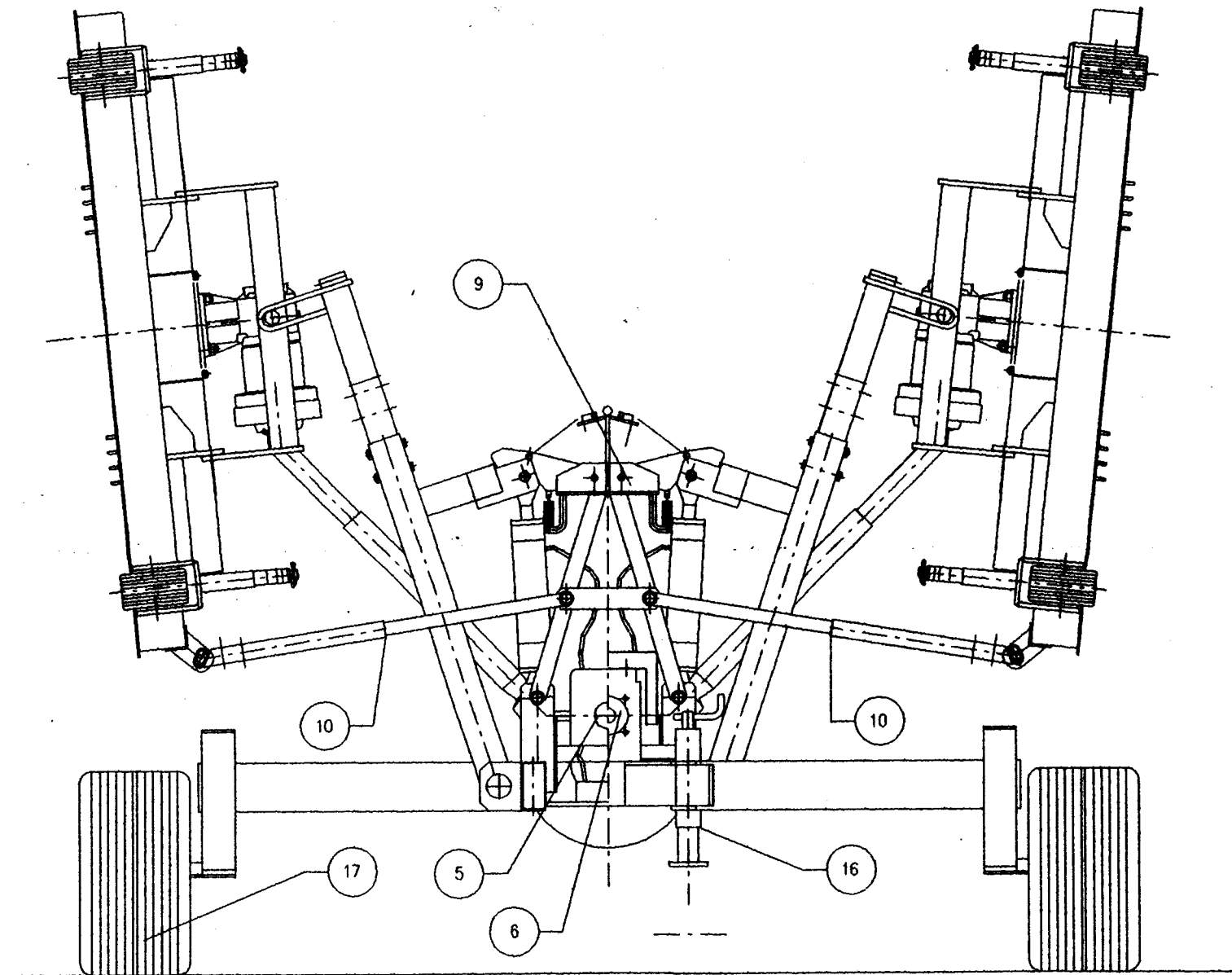
MOWER TYPE XRM 235 FOR OMEGA
 SPARE PARTS DRAWING



OMEGA IN WORKING POSITION








MODEL	MOWER 20+21	MOWER 19	CUT W. - H - mm
OMEGA 11	PRM 120	PRM 120	3300
OMEGA 12	PRM 120	PRM 150	3600
OMEGA 14	PRM 150	PRM 150	4200
OMEGA 15	PRM 150	PRM 180	4500
OMEGA 17	PRM 180	PRM 180	5100
OMEGA 19	PRM 180	XRM 235	5600

** : IN ALTERNATIVE WITH THE SAME POSITION WITHOUT **

* : SEE SUGGESTED SPARE PARTS LIST FOR PRM 120-150-180.E XRM 235

21*	LEFT SIDE MOWER		1
20*	RIGHT SIDE MOWER		1
19*	REAR MOWER		1
18	COMPLETE PINS KIT	OM518	2
17	REAR WHEEL COMPLETE WITH HUB	OM517	1
16	LIFTING JACK	OM516	1
15	FRONT HIDRAULIC PIPE	OM515	2
14	REAR HIDRAULIC PIPE	OM514	2
13	SIDE HIDRAULIC PIPE	OM513	4
12	HIDRAULIC DISTRIBUTOR	OM512	1
11	REAR TIE-ROD	OM511	2
10	SIDE LIMIT SWTCH DEVICE	OM510	2
9	SIDE SAFETY DEVICE	OM509	1
8	REAR SAFETY DEVICE	OM508	1
7	HIDRAULIC PISTON	OM507	1
6	GEAR BOX	OM506	1
5	BEARING	OM505	3
4	TRANSMISSION SHAFT	OM504	1
3	SIDE CARDAN SHAFT	OM503	4
2	REAR CARDAN SHAFT	OM502	2
1**	FRONT CARDAN SHAFT FREE WHEEL	OM520	2
1**	FRONT CARDAN SHAFT SLIP CLUTCH	OM519	2
1	FRONT CARDAN SHAFT STANDARD	OM501	2
POS.	DESCRIPTION	CODE	Q.TY

	Dis. Ng SpIC300M	
	Codice	
	Scale 1:10	
	Disegn. ATRUSO M.	
Gruppo _____		Date 15/01/99
INSIEME Dis. N° _____ Partic. _____		
Denominazione OMEGA FRAME		
SUGGESTED SPARE PARTS LIST		

IL PRESENTE DISEGNO È STATO ESEGUITO CON TECNICA CAD - CON MODIFICA MANUALE NON E' IMMESSA
 DISEGNI \DNOR \OMEGA \OMEGA



Farm & garden equipment manufacturer

DelMorino

Del Morino srl , v.Caroni di Sotto 19,
I-52033 Caprese Michelangelo AR Italy
Ph: +39-575-791059 Fax: +39-575-791210
E.mail: 100710.3101@compuserve.com
http://www.Italia.com/Delmorino
New E.Mail: delmorin@vinf.ats.it

SPARE PARTS LIST – PRM TYPE FOR OMEGA

REF.	DESCRIPTION	CODE #	PRM 120	PRM 150	PRM 180
1	FRAME NOT WIND ROW	OM600	1		
1	FRAME NOT WIND ROW	OM601		1	
1	FRAME NOT WIND ROW	OM602			1
1*	FRAME WIND ROW	OM603	1		
1*	FRAME WIND ROW	OM604		1	
1*	FRAME WIND ROW	OM605			1
2	BRACKET FOR RUBBER WHEEL	OM606	2		
2	BRACKET FOR RUBBER WHEEL	OM607		2	
2	BRACKET FOR RUBBER WHEEL	OM608			2
2*	BRACKET FOR TIRE WHEEL	OM609	2		
2*	BRACKET FOR TIRE WHEEL	OM610		2	
2*	BRACKET FOR TIRE WHEEL	OM611			2
3	COMPLETE RUBBER WHEEL GROUP	OM612	4	4	4
3*	COMPLETE TIRE WHEEL GROUP GROUP	OM613	4	4	4
4	COMPLETE ROTATION GROUP	OM614	3	3	3
5	GEAR BOX SUPPORT	OM615	1		
5	GEAR BOX SUPPORT	OM616		1	
5	GEAR BOX SUPPORT	OM617			1
6	BELT COVER CARTER L	OM618	1		
6	BELT COVER CARTER L	OM619	1		
6	BELT COVER CARTER L	OM620		1	
7	BELT COVER CARTER R	OM621		1	
7	BELT COVER CARTER R	OM622			1
7	BELT COVER CARTER R	OM623			1
8**	DISCHARGE CARTER	OM624	1		
8**	DISCHARGE CARTER	OM625		1	
8**	DISCHARGE CARTER	OM626			1
9	BLADE	OM627	3		
9	BLADE	OM628		3	
9	BLADE	OM629			3
10	DRIVE PULLEY P250/2B	OM630	1	1	1
11	SIDE PULLEY P120/1B	OM631	2		
11	SIDE PULLEY P140/1B	OM632		2	
11	SIDE PULLEY P170/1B	OM633			2
12	CENTRAL PULLEY P120/2B	OM634	1		
12	CENTRAL PULLEY P140/2B	OM635		1	
12	CENTRAL PULLEY P170/2B	OM636			1
17	GEAR BOX SLIDE	OM637	1		

SPARE PARTS LIST – PRM TYPE FOR OMEGA					
REF.	DESCRIPTION	CODE #	PRM 120	PRM 150	PRM 180
17	GEAR BOX SLIDE	OM638		1	1
18	SAFETY CHAIN AXIS FOR NOT WIND ROW FRAME	OM639	1	1	1
18*	SAFETY CHAIN AXIS FOR WIND ROW FRAME	OM640	1	1	1
19	BELT B57	OM641	2		
19	BELT B69	OM642		2	
19	BELT B79	OM643			2
20	WASHER D24 UNI 6592	OM644	1	1	1
21	CROWN NUT M24 UNI 5593	OM645	1	1	1
22	SPLIT PIN 6X35 UNI1336	OM646	1	1	1
23	SCREW M8X16 UNI 5739	OM647	4	4	4
24	SCREW M10X25 UNI 5739	OM648	10	11	11
25	SCREW M10X30 UNI 5739	OM649	12	12	12
26	SCREW M10X80 UNI 5739	OM650	1	1	1
27	SCREW M10X80 UNI 5737	OM651	6	6	6
30	SCREW M16X40 UNI 5933	OM652	4	4	4
31	WASHER D8 UNI 6592	OM653	10	10	10
32	WASHER D10 UNI 6592	OM654	45	46	46
33	WASHER D12 UNI 6592	OM655	10	10	10
34	WASHER D16 UNI 6592	OM656	4	4	4
36	NUT CONELOCK M8 DIN 980	OM657	6	6	6
37	NUT CONELOCK M10 DIN 980	OM658	17	17	17
38	NUT CONELOCK M12 DIN 980	OM659	5	5	5
39	NUT CONELOCK M16 DIN 980	OM660	4	4	4
41	COWLING	OM661	1	1	1
42	GEAR BOX COMER 141.0.0.3	OM662	1	1	1
43	GENOVESE CHAIN WIRE 7.4 -3 LINK	OM663	11	17	25
43*	REAR SAFETY DEVICE	OM664	24	30	36
44**	PIPE ϕ 13X36	OM665	10	16	24
45	SPRING PIN D3	OM666	1	1	1
46	RUBBER WHEEL SUPPORT	OM667	4	4	4
46*	TIRE WHEEL SUPPORT	OM668	4	4	4
47	SPACER 2 MM	OM669	10	10	10
48	SPACER 6 MM	OM670	4	4	4
49	SPACER 13 MM	OM671	12	12	12
50	SPACER 25 MM	OM672	4	4	4
51	SPACER 32 MM	OM673	12	12	12
52	SCREW M12X120 UNI 5737	OM674	4	4	4
52*	SCREW M12X170 UNI 5737	OM675	4	4	4
53	PIN D6	OM676	4	4	4

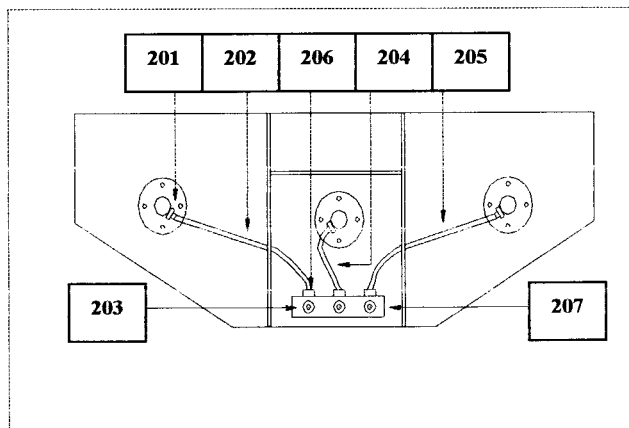
SPARE PARTS LIST – PRM TYPE FOR OMEGA					
REF.	DESCRIPTION	CODE #	PRM 120	PRM 150	PRM 180
54	RUBBER WHEEL DIAMETER 210X80	OM677	4	4	4
54*	TIRE WHEEL DIAMETER 330X125	OM678	4	4	4
55	BUSH FOR RUBBER WHEEL	OM679	4	4	4
55*	BUSH FOR TIRE WHEEL	OM680	4	4	4
56	HUB	OM681	3	3	3
57	SHAFT	OM682	3	3	3
58	SPACER	OM683	3	3	3
59	BEARING PROTECTION	OM684	3	3	3
60	BEARING 6205 Z	OM685	6	6	6
61	TONGUE UNI 6604-A 8X7X35	OM686	3	3	3
62	NUT CONELOCK M18 DIN 980	OM687	3	3	3
63	SELF LOCKING NUT M25X1.5	OM688	3	3	3
64	GREASER 10MB	OM689	7	7	7
65	ROLL BRACKET	OM690	1	1	1
66	ROLL	OM691	1	1	1
67	BUSH	OM692	1	1	1
68	SCREW M12X250 UNI 5739	OM693	4	4	4

* : IN ALTERNATIVE WITH THE SAME POSITION WITHOUT *

** : ONLY FOR WIND ROW MOWER



FINISHING MOWER PRM type



COMPONENTE			QUANTITA' IN MODELLI		
REF.	DESCRIPTION	CODE #	PRM 120	PRM 150	PRM 180
203	GREASE NIPPLE 10 MB	50030	3		
202	PLASTIC TUBE 1 CM 50	50107	1		
202	PLASTIC TUBE 1 CM 60	50108		1	
202	PLASTIC TUBE 1 CM 70	50109			1
204	PLASTIC TUBE 2 CM 10	50110	1		
204	PLASTIC TUBE 2 CM 10	50111		1	
204	PLASTIC TUBE 2 CM 10	50112			1
205	PLASTIC TUBE 3 CM 60	50113	1		
205	PLASTIC TUBE 3 CM 70	50114		1	
205	PLASTIC TUBE 3 CM 80	50115			1
201	CONNECTORS	50116	6		
206	EXTENSIONS CONNECTORS	50117	3		
207	SUPPORT FOR THE GREASE BOXES	50119	1		